

# *Fiberglass Booster Fans*



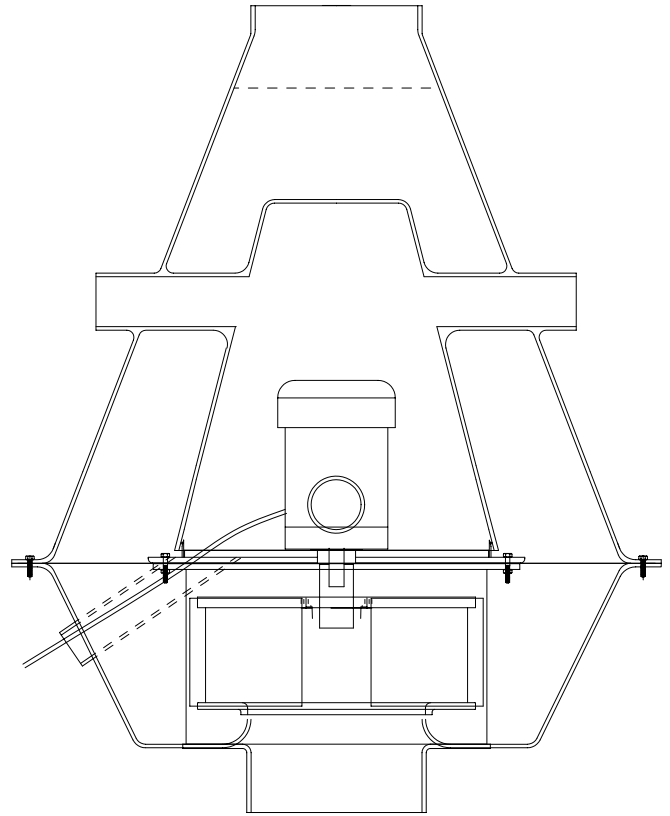
**PCP** Poly Composite Products, LLC

51 North Street / P.O. Box 400  
LeRoy, NY 14482  
Phone: (585) 768-7633 Fax: (585) 768-7634  
Website: [www.PolyCP.com](http://www.PolyCP.com)  
Email: [sales@PolyCP.com](mailto:sales@PolyCP.com)

# Booster Fan Features

## Features

- **Sizes:** Model BCBF: 8" through 36"
- **Wheel:** 8 to 36" diameter. Airfoil backward curved wheel standard for non overloading performance. Also available with self cleaning radial wheel. Wheel heights can be varied to accommodate direct driven performance requirements. Wheels are constructed of fiberglass, vinylester resin with Class 1 flame spread of 25. Fiberglass cap protects bushing.
- **Housing Construction:** Housing is fiberglass reinforced polyester resin standard. (Ashland Chemical Hetron 99P or equivalent) with 3 % antimony trioxide added to provide Class 1 flame spread of 25,
- **Shaft:** 304 stainless steel, completely encapsulated with fiberglass sleeve where it penetrates the wheel, with shaft seal.
- **Inlet and Outlet:** Slip fit style standard. Flanged style available.
- **Motor Compartment::** Isolates motor from corrosive airstream. Equipped with ventilation tubes to cool motor. Constructed to provide easy access to motor for servicing. Access to wheel or motor without removal of unit is possible.
- **Duct Sizes:** Inlet and outlet can be made to match customer specifications.
- **Motor:** Severe duty, totally enclosed isolated from airstream. Explosion proof motors available.
- **Mounting:** Booster fan can be mounted in any position.
- **Hardware:** 304 stainless steel.

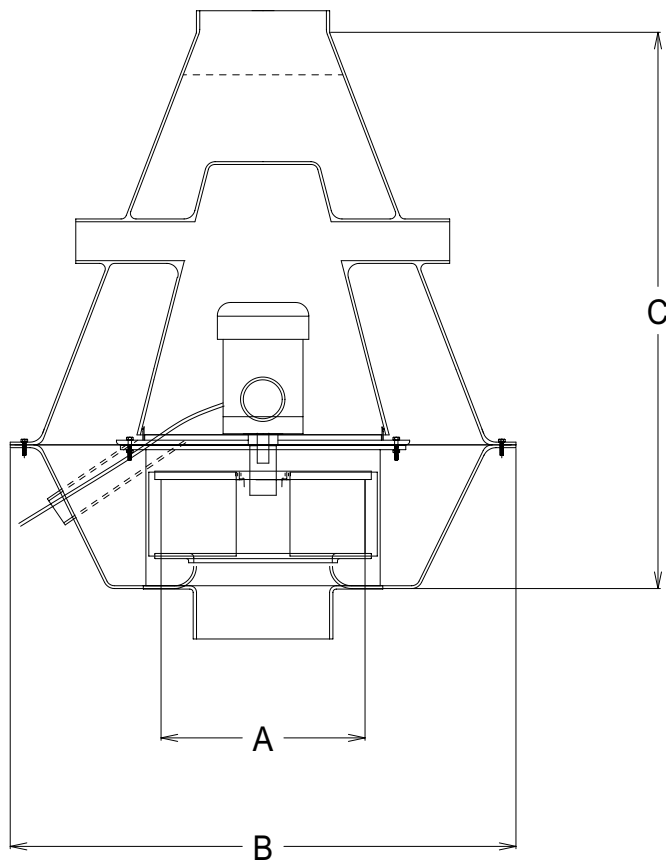


## Accessories

- **Special Resins:** Other resins are available depending on specific corrosive application.
- **Spark Resistant Construction:** Carbon impregnation and static grounding lugs make unit electrically conductive, limiting the possibility of static charge.
- **Surface Veil:** Synthetic surface veil can be added to all surfaces for increased corrosion resistance.
- **Shaft and Hardware:** 316 stainless steel.
- **Mounting Accessories:** Horizontal or vertical mounting legs or clips and vibration isolators are available.
- **Roof Mounting:** Curb caps, storm bands, and curbs are available for roof mounting.

# Booster Fan Performance

| Size | Recommended CFM Range |
|------|-----------------------|
| 10   | 300 - 2800            |
| 12   | 450 - 3600            |
| 15   | 700 - 5600            |
| 18   | 900 - 8100            |
| 22   | 1400 - 12000          |
| 24   | 1600 - 15000          |
| 27   | 2000 - 19000          |
| 30   | 2500 - 23000          |
| 33   | 3100 - 27500          |
| 36   | 3500 - 32500          |



## Dimensions

| Size | A        | B        | C        |
|------|----------|----------|----------|
| 10   | 10-1/2   | 26       | 27-7/8   |
| 12   | 12-1/4   | 30-3/8   | 33-7/16  |
| 15   | 15-5/16  | 38       | 41-13/16 |
| 18   | 18-3/8   | 45-5/8   | 50-3/16  |
| 22   | 22-7/16  | 55-3/4   | 61-5/16  |
| 24   | 24-1/2   | 60-13/16 | 66-7/8   |
| 27   | 27-9/16  | 68-3/8   | 75-1/4   |
| 30   | 30-5/8   | 76       | 83-5/8   |
| 33   | 33-11/16 | 83-5/8   | 92       |
| 36   | 36-3/4   | 91-3/16  | 100-3/8  |