

Fiberglass Inline Centrifugal



PCP Poly Composite Products, LLC

51 North Street / P.O. Box 400
LeRoy, NY 14482
Phone: (585) 768-7633 Fax: (585) 768-7634
Website: www.PolyCP.com
Email: sales@PolyCP.com

Inline Centrifugal Features

Features

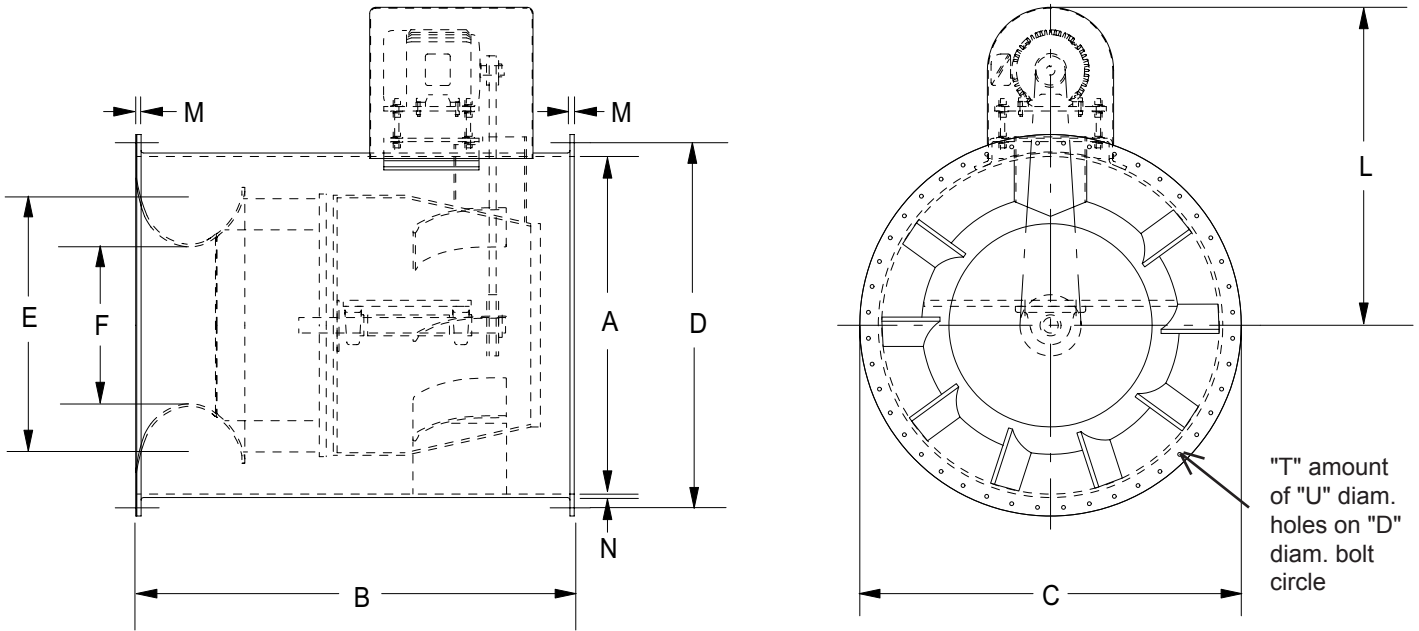
- **Sizes: Model ILC:** 10" thru 36".
- **Housing:** Fiberglass, Hetron 99P ® polyester resin, Class 1 flame spread of 25, urethane enamel finish coat. Standard color is gray.
- **Wheel:** Backward curve non-overloading design. Fiberglass, Hetron FR992 ® vinyl ester resin, Class 1 flame spread of 25. Metal hub insert is completely encapsulated in fiberglass. Fiberglass cap protects taperlock bushing. Final resin rich coat is applied for increased corrosion resistance.
- **Shaft:** 304 stainless steel. Shaft is completely encapsulated with a fiberglass sleeve where it penetrates the wheel.
- **Shaft Seal:** Teflon.
- **Hardware:** 304 stainless steel.
- **Inlet/Outlet:** Flanged for duct attachment.
- **Motor Cover:** Fiberglass construction, provided as standard on drive arrangement 10 fans. Protects shafts, bearings, drive and motor.
- **Drive:** Fixed sheave, 1.5 SF v-belts.



Accessories

- **Spark Resistant Construction:** Includes carbon impregnation and static grounding lugs to make unit electrically conductive, limiting the possibility of a static charge.
- **Special Resins:** A variety of special resins are available to suit a specific corrosive application.
- **Surface Veil:** Synthetic surface can be applied to all airstream surfaces to increase corrosion resistance of the fan.
- **Shaft:** Available in 316 stainless steel.
- **Hardware:** Available in 316 stainless steel.
- **Roof Mount:** Curb caps, stack caps, and intake/exhaust hoods in all fiberglass construction can be provided.
- **Horizontal Mounting Legs or Clips**
- **Vertical Mounting Legs or Clips**
- **Vibration Isolators:** Rubber-in-shear or spring type.
- **Access Door:** Allows access to interior of housing, gasketed.
- **Flanged Inlet:** For flanged attachment to inlet duct.
- **Inlet Vane Dampers:** Fiberglass construction with manual quadrant for control of air flow.

Inline Centrifugal Dimensions



Size	10"	12"	15"	18"	22"	24"	27"	30"	33"	36"
A	14-1/16	16-7/8	21-3/32	25-5/16	30-29/32	33-3/4	37-31-32	42-3/16	46-13/32	50-5/8
B	24	24-1/2	30	36-1/16	43-7/8	48-1/16	53-11/16	60	66	72
C	18-9/16	21-3/8	25-19/32	29-13/16	35-13/32	38-1/4	42-31/32	47-3/16	51-13/32	55-5/8
D	17-1/16	19-7/8	24-3/32	28-5/16	33-29/32	36-3/4	41-15/32	45-11/16	49-29/32	54-1/8
E	10-3/16	12-1/4	15-5/16	18-3/8	22-7/16	24-1/2	27-9/16	30-5/8	33-11/16	36-3/4
F	6-5/16	7-9/16	9-1/2	11-3/8	13-15/16	15-3/16	17-1/16	19	20-7/8	22-3/4
L	*	*	*	*	*	*	*	*	*	*
M	3/8	3/8	3/8	3/8	1/2	1/2	1/2	1/2	1/2	1/2
N	1/4	1/4	1/4	1/4	5/16	5/16	5/16	3/8	3/8	3/8
T	8	8	20	20	24	24	24	36	36	36
U	7/16	7/16	7/16	7/16	7/16	7/16	7/16	7/16	7/16	9/16

* Dimension varies with horsepower

Specifications

Furnish _____ each, size _____, Model ILC as manufactured by Polymil Products, Inc.

Fan shall be suitable for Class II operation.

Housing shall be constructed of Hetron 99P® polyester resin with a Class 1 flamespread of 25 or less.

Fan wheel shall be constructed of fiberglass using Hetron 992 FR® vinyl ester resin and attached to shaft by a taperlock bushing. The bushing shall be protected by a fiberglass cover. Fan shaft shall be of carbon steel with a fiberglass sleeve where the shaft enters the fan housing and a shaft seal.

The fan shall have a capacity of _____ CFM at _____ inch(es) static pressure standard air and equipped with a _____ HP, _____ RPM, motor. It shall be NEMA design B, heavy duty, industrial continuous duty,

totally enclosed fan cooled and suitable for _____ volt, _____ phase, _____ cycle operation.

The bearings shall be self-aligning block type. Unit shall be equipped with a (fixed, adjustable) v-belt drive selected with a 1.5 service factor.

Motor and drive shall be protected by a fiberglass motor cover.

All hardware shall be (304SS, 316SS).

Available accessories include: carbon impregnation with static grounding, surface veil, vibration isolators (rubber-in-shear, spring type), gasketed access door, fiberglass flanged inlet, fiberglass manual control outlet damper, fiberglass inlet vane dampers with manual quadrant, fiberglass inlet box.



PCP Poly Composite Products, LLC

51 North Street / P.O. Box 400
LeRoy, NY 14482
Phone: (585) 768-7633 Fax: (585) 768-7634
Website: www.PolyCP.com
Email: sales@PolyCP.com